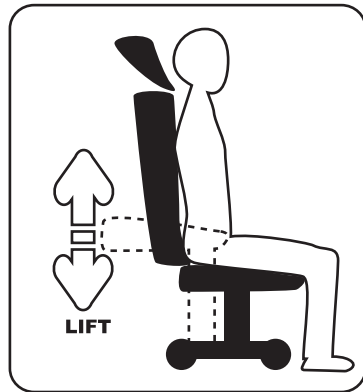


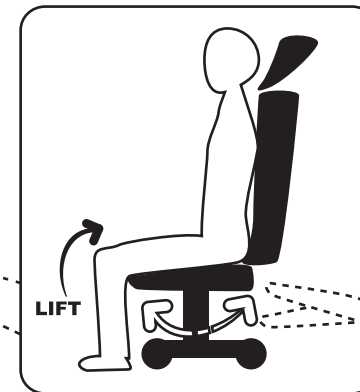
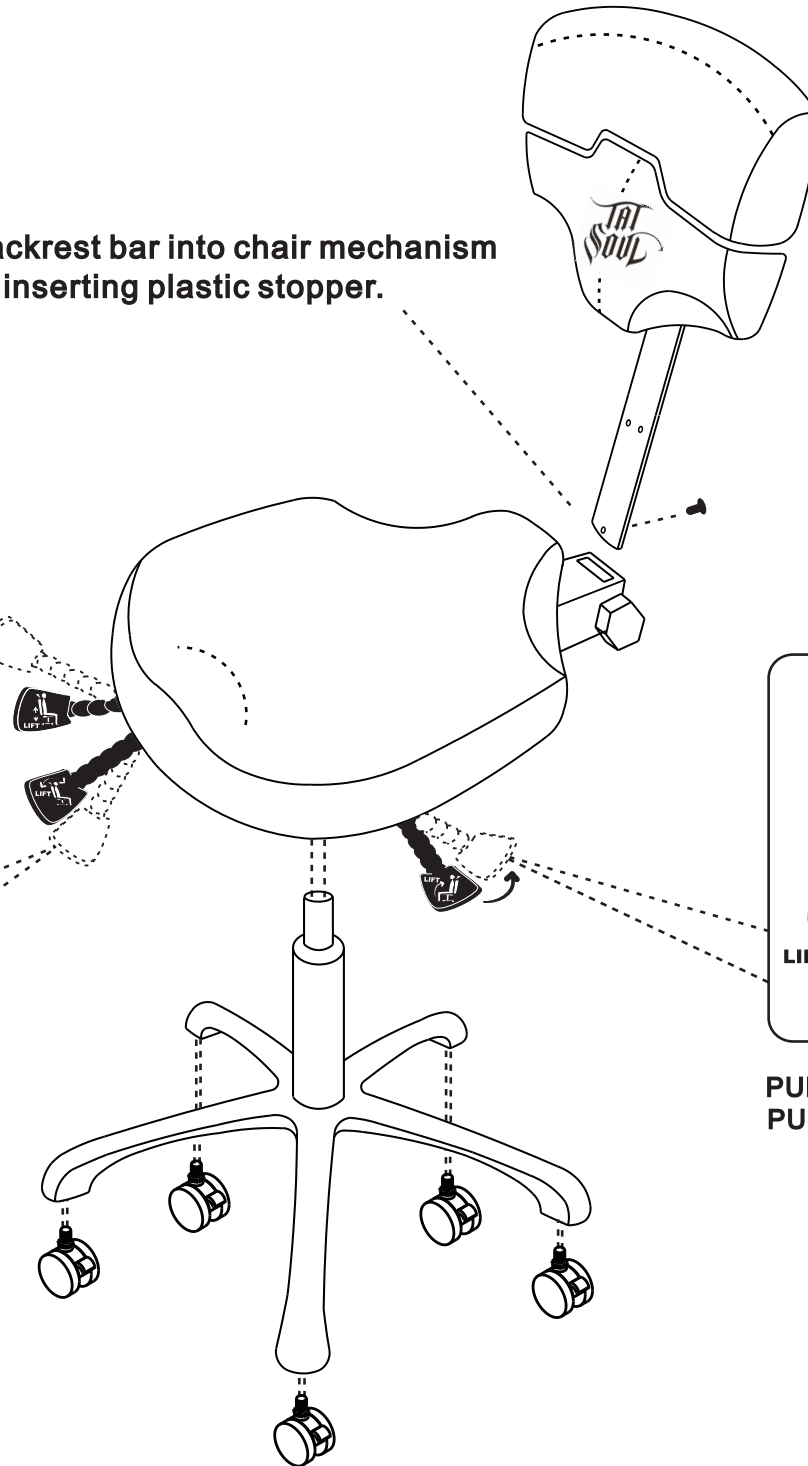


Mako Studio Chair-ac280
1.888.828.7685
www.tatsoul.com

***Put backrest bar into chair mechanism before inserting plastic stopper.**



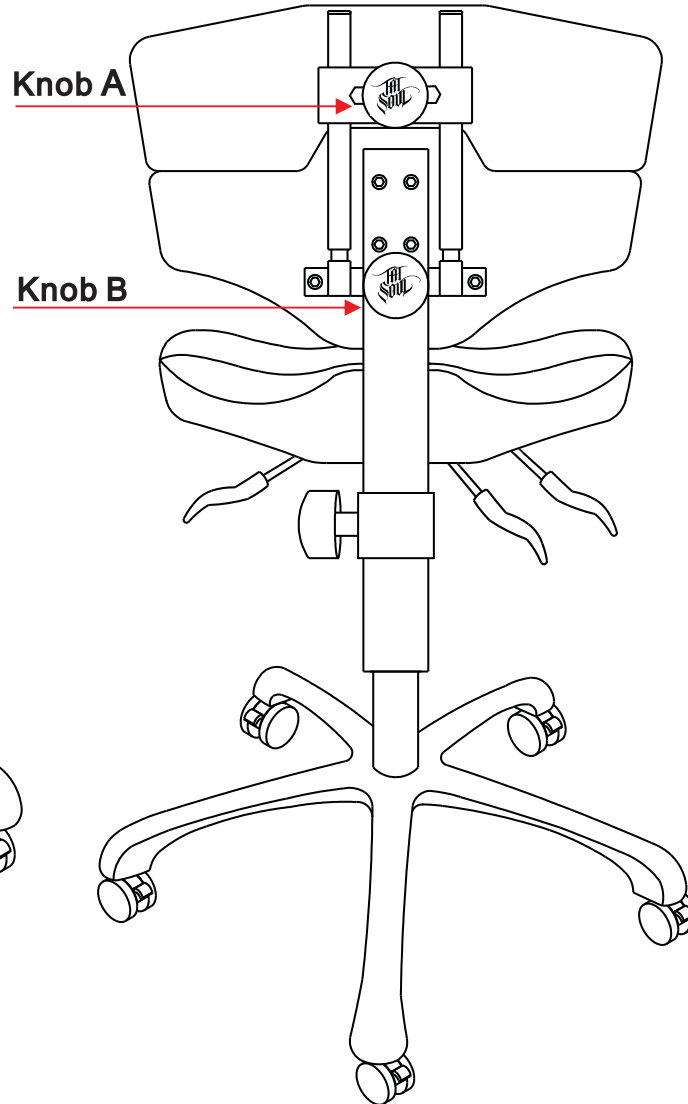
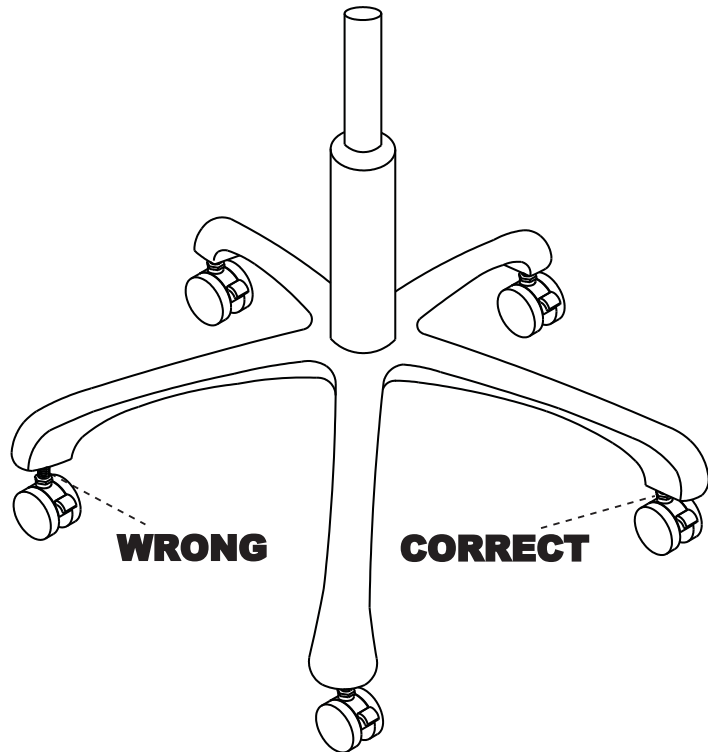
**PULL LEVER UP AND ADJUST
PUSH DOWN LEVER TO LOCK**



**PULL LEVER UP AND ADJUST
PUSH DOWN LEVER TO LOCK**

WARNING

Make sure to pop wheels all the way into the base. Failure to pop all the way in will result in damaged wheels.



Mako Studio Chair-ac280
1.888.828.7685
www.tatsoul.com

Knob A can adjust backrest height.

Knob B can adjust backrest inclination.